

+1,000枚以上 +2,000枚以上 +3,000枚以上 +5,000枚以上

BF

Table of room numbers for BF floor, including columns for エリサラ機, エリサラ機, and エリサラ機. Includes a TOILET icon.

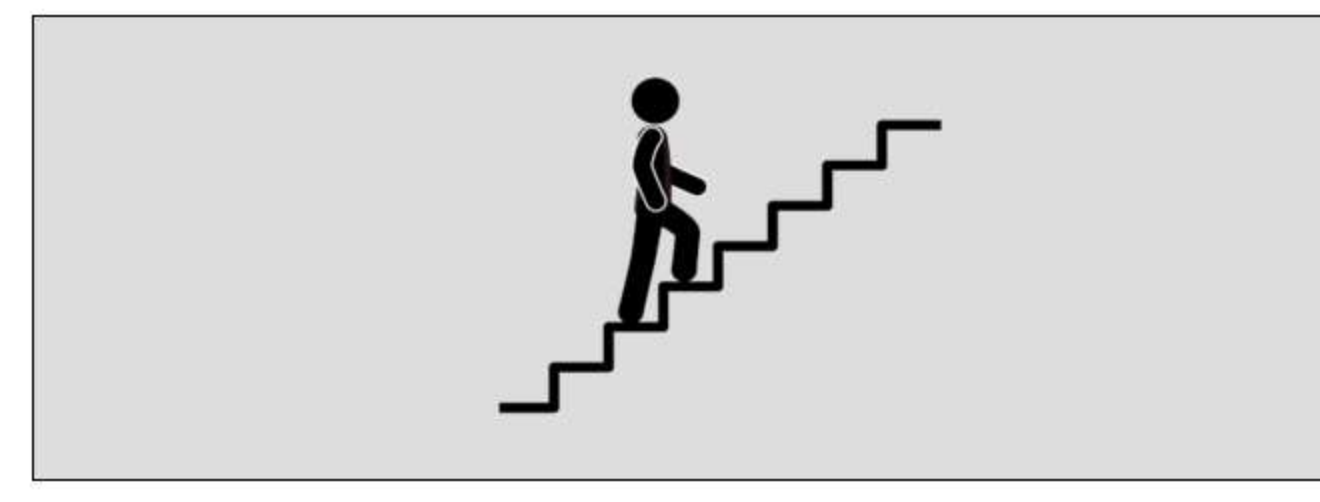
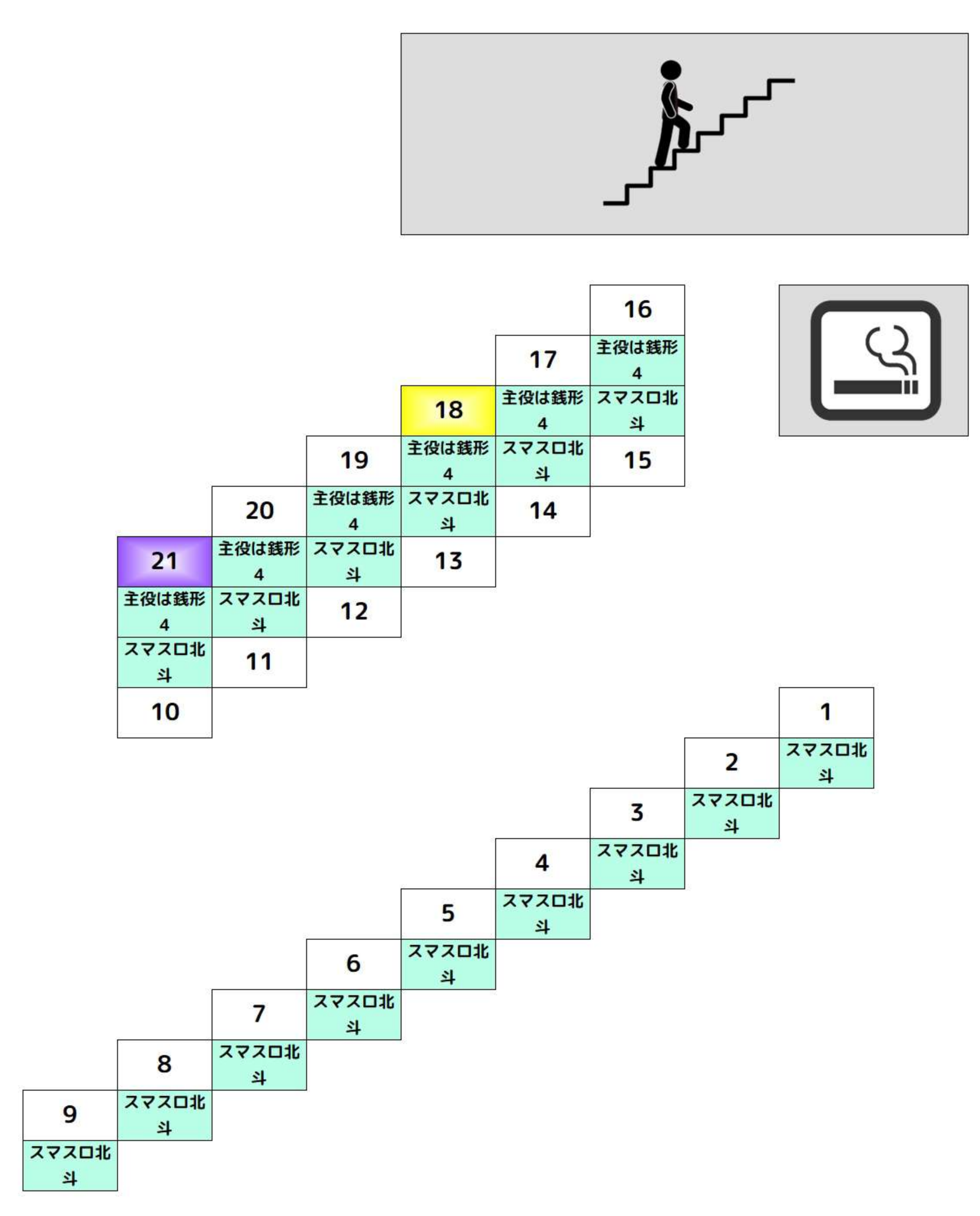
Table of room numbers for BF floor, including columns for ヴァルヴレ イヴ.

Table of room numbers for BF floor, including columns for ヴァルヴレ イヴ.

Table of room numbers for BF floor, including columns for ヴァルヴレ イヴ.

Table of room numbers for BF floor, including columns for ヴァルヴレ イヴ.

Table of room numbers for BF floor, including columns for スマスロ北 斗.



+1,000枚以上 +2,000枚以上 +3,000枚以上 +5,000枚以上

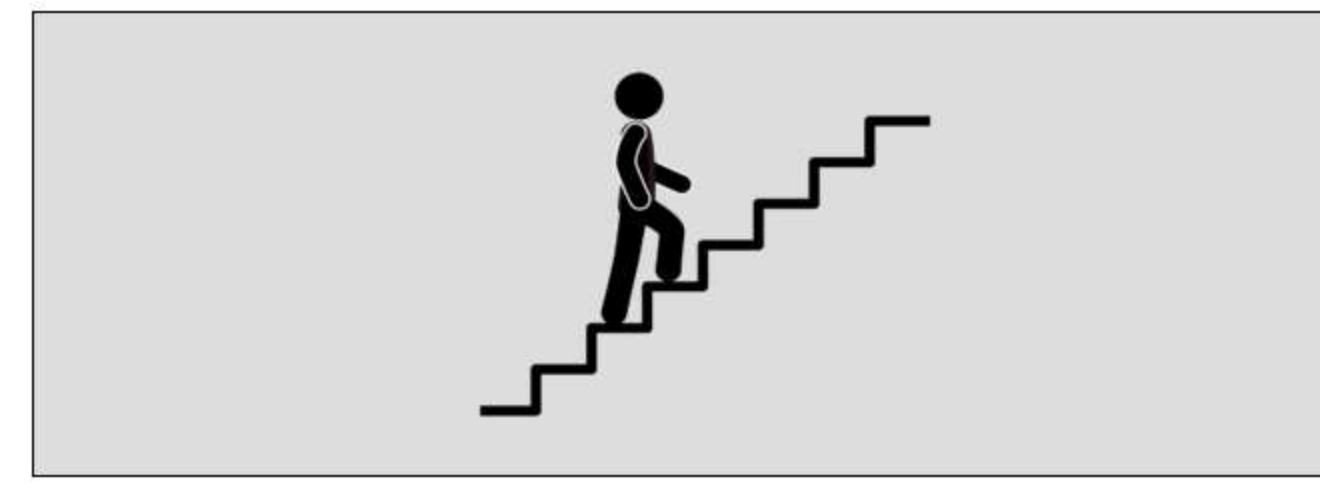
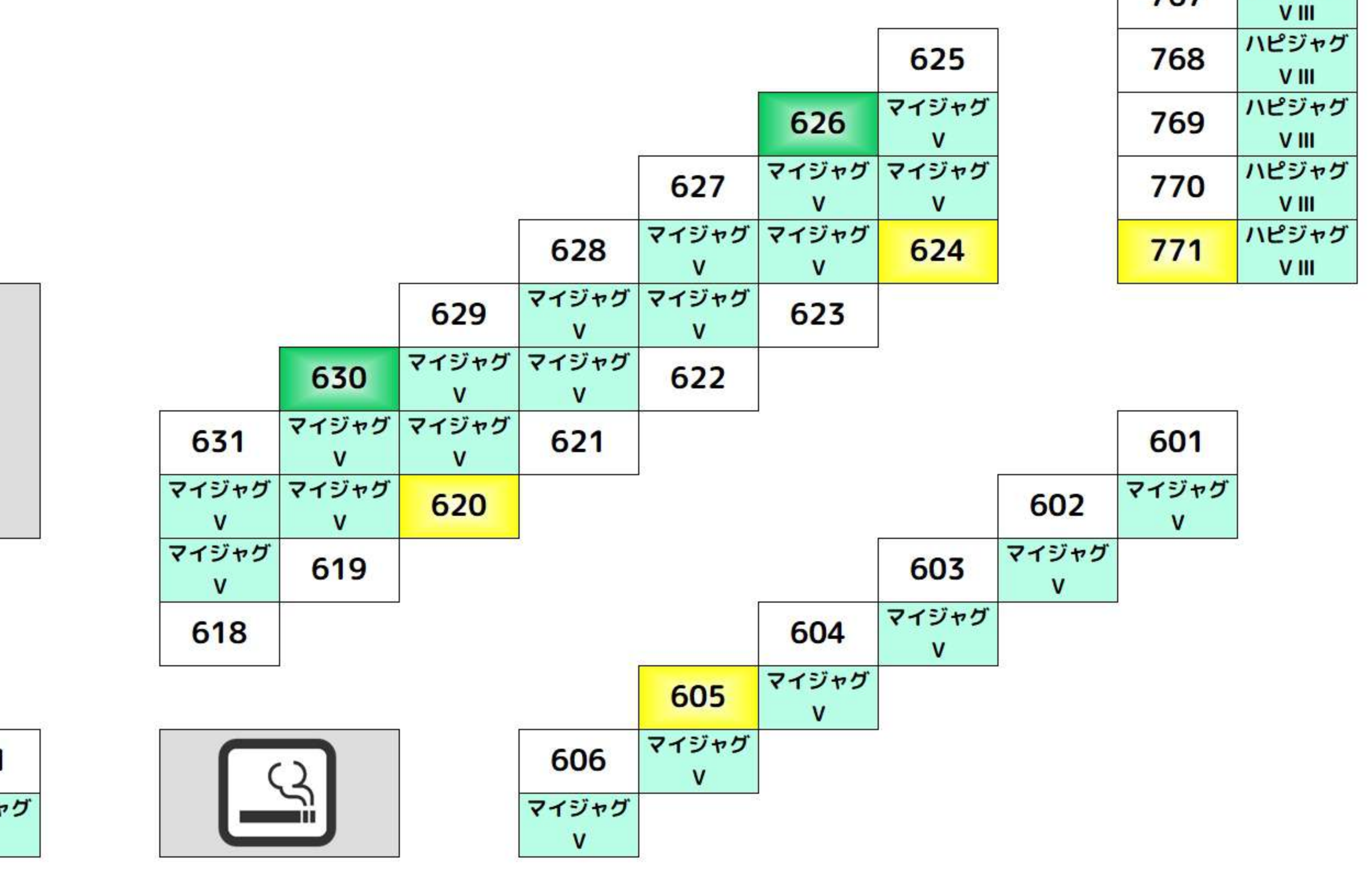
2F

Table of room numbers for 2F floor, including columns for ハーサスリ ヴァ, ディスク アップ2, and ハーデス機. Includes a TOILET icon.

Table of room numbers for 2F floor, including columns for ファンキー 2.

Table of room numbers for 2F floor, including columns for マイジャグ V and ファンキー 2.

Table of room numbers for 2F floor, including columns for ファンキー 2.



+1,000枚以上 +2,000枚以上 +3,000枚以上 +5,000枚以上

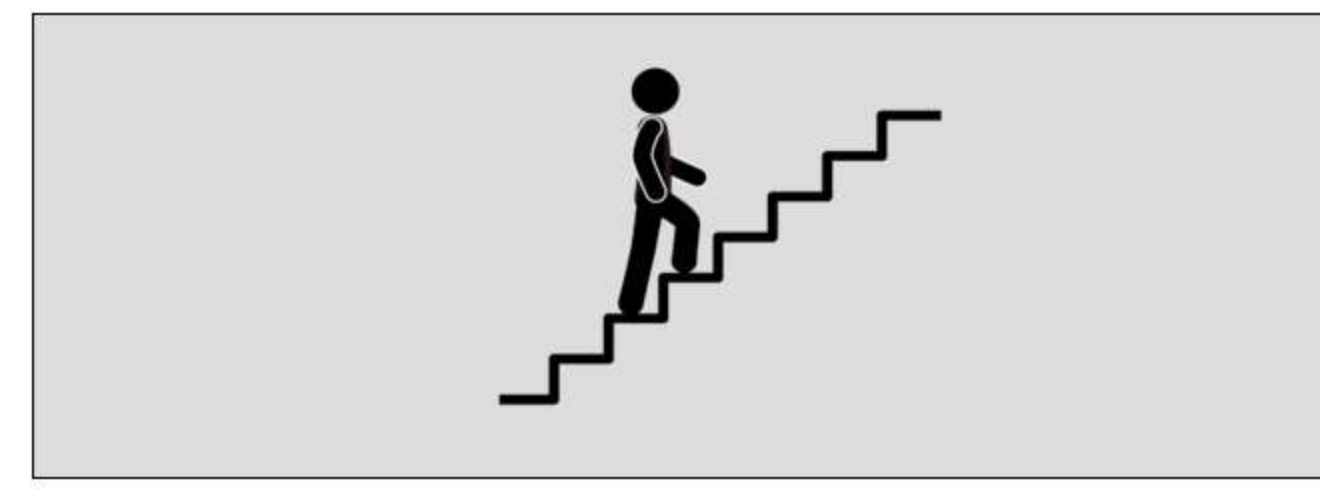
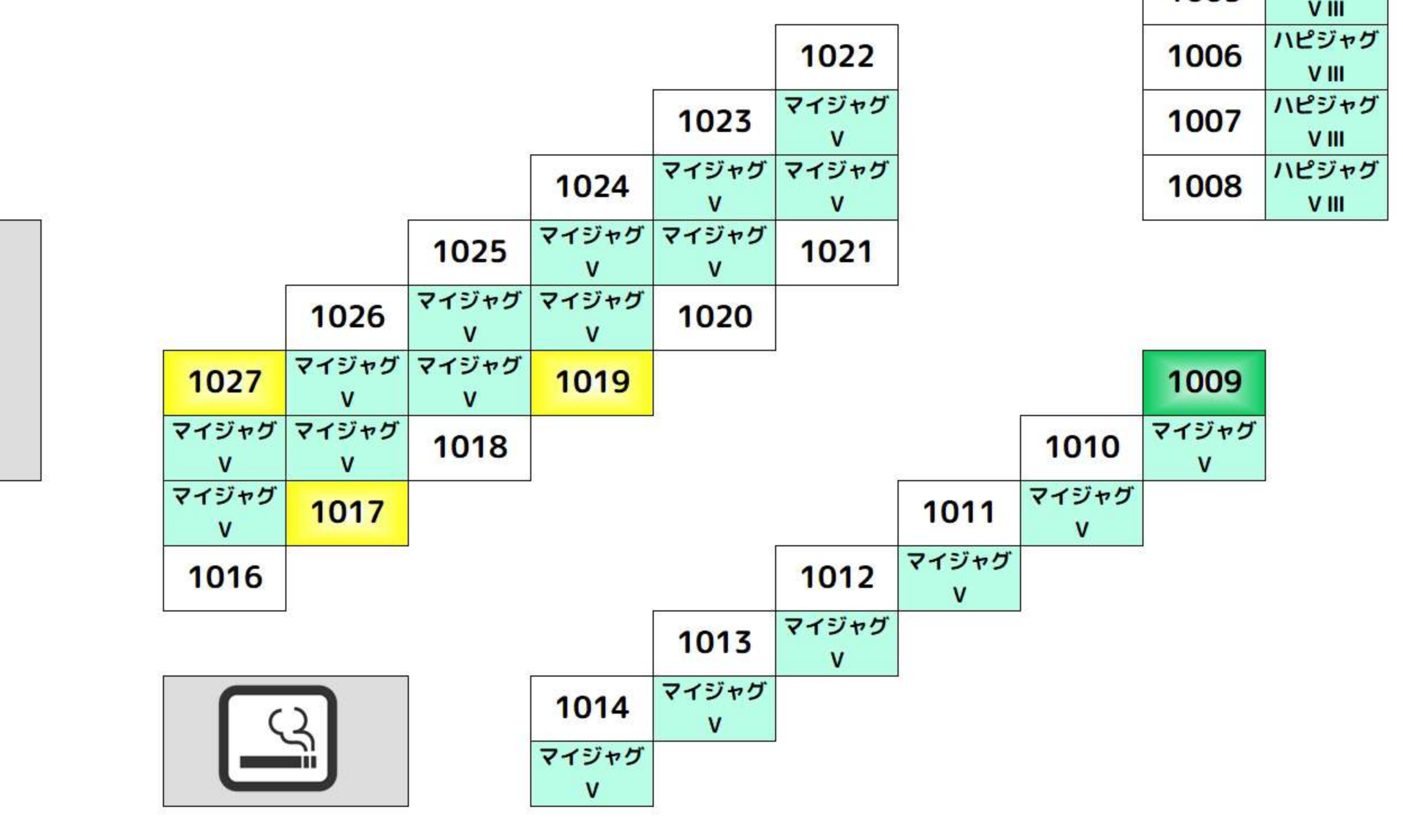
3F

Table of room numbers for 3F floor, including columns for SPアイム, ガンダムユニオン, and オバロ2. Includes a TOILET icon.

Table of room numbers for 3F floor, including columns for マイジャグ V.

Table of room numbers for 3F floor, including columns for ファンキー 2 and マイジャグ V.

Table of room numbers for 3F floor, including columns for マイジャグ V.



+1,000枚以上 +2,000枚以上 +3,000枚以上 +5,000枚以上

4F

Table of room numbers for 4F floor, including columns for アウエリオン, シンフォニック, and ガンダムユニオン. Includes a TOILET icon.

Table of room numbers for 4F floor, including columns for キングハナ ハナ30.

Table of room numbers for 4F floor, including columns for ハイオアRE:2 and キングハナ ハナ30.

Table of room numbers for 4F floor, including columns for 沖ドキ GOLD30.

